



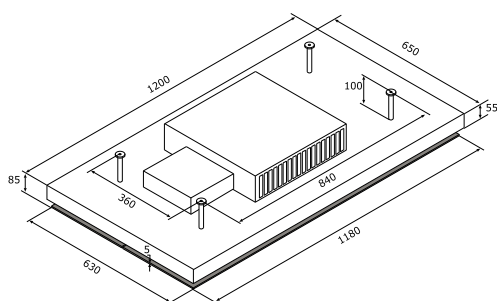
soffitto/ceiling

**CARATTERISTICHE**

- Kit filtri carbone inclusi

**FEATURES**

- Charcoal filters kit included

**ACCESSORI / ACCESSORIES**

Kit filtri carbone attivi  
Active charcoal filters kit  
AFFCAF139

**F139 F Restyling**

<b>Portata massima:</b>	600 m <sup>3</sup> /h <b>ebmpapst</b>
<b>Portata massima IEC:</b>	543 m <sup>3</sup> /h
<b>Livello sonoro:</b>	54/67 dB(A)
<b>Comando:</b>	Telecomando a 4 velocità (3+1 intensiva) Predisposto per sistema <b>integra</b>
<b>Illuminazione:</b>	7,8W Led
<b>Dimensione:</b>	120x65 cm
<b>Finitura:</b>	Acciaio inox con vetro nero o bianco
<b>Filtri:</b>	Filtri grasso lavabili Filtri carbone inclusi
<b>Max air flow:</b>	600 m <sup>3</sup> /h <b>ebmpapst</b>
<b>IEC air flow:</b>	543 m <sup>3</sup> /h
<b>Noise level:</b>	54/67 dB(A)
<b>Control:</b>	Remote control 4 speeds (3+1 intensive) Ready for <b>integra</b> system (on request)
<b>Lamps:</b>	7,8W Led
<b>Size:</b>	120x65 cm
<b>Finish:</b>	Stainless steel with black or white glass
<b>Filters:</b>	Washable grease filters Charcoal filters included